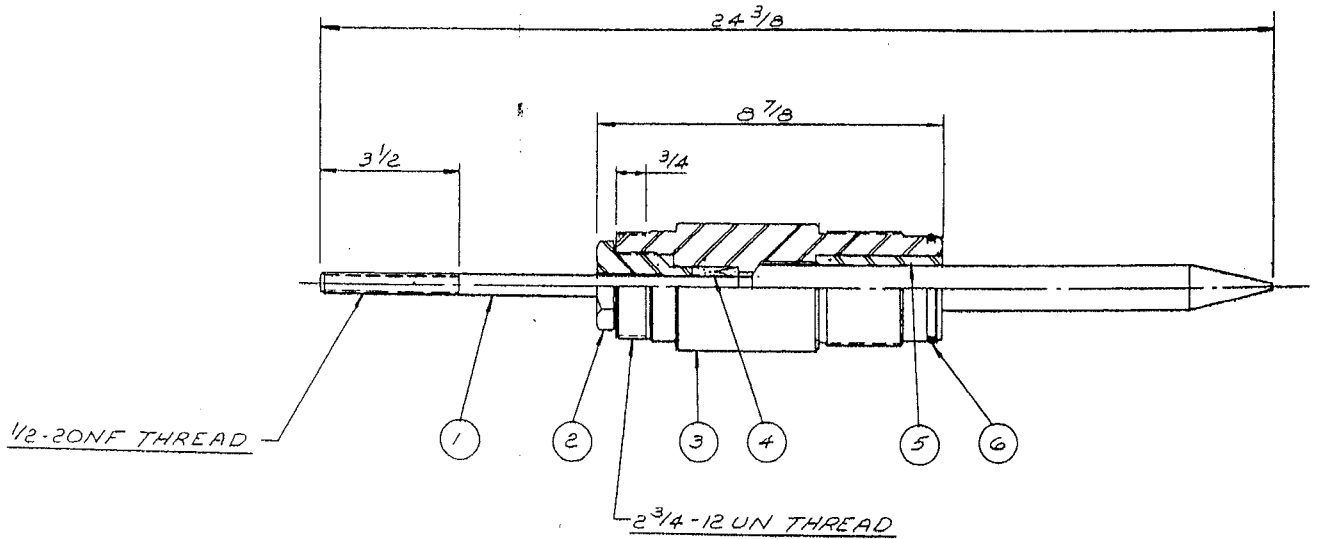




**ACTUATOR ASSEMBLY  
7800 PSI CHOKE**



Item	Qty.	Description	Part No.
1	1	Stem	See Chart
2	1	Packing Gland Nut	0001-00165
3	1	Yoke	0001-00110
4	1	Packing	0001-00142
5	1	Bearing	0001-00163
6	1	O-Ring	0001-00114

ACTIVATOR STEMS

Stainless Steel 17 4 PH	0001-00118
Tungsten Carbide	0001-00119