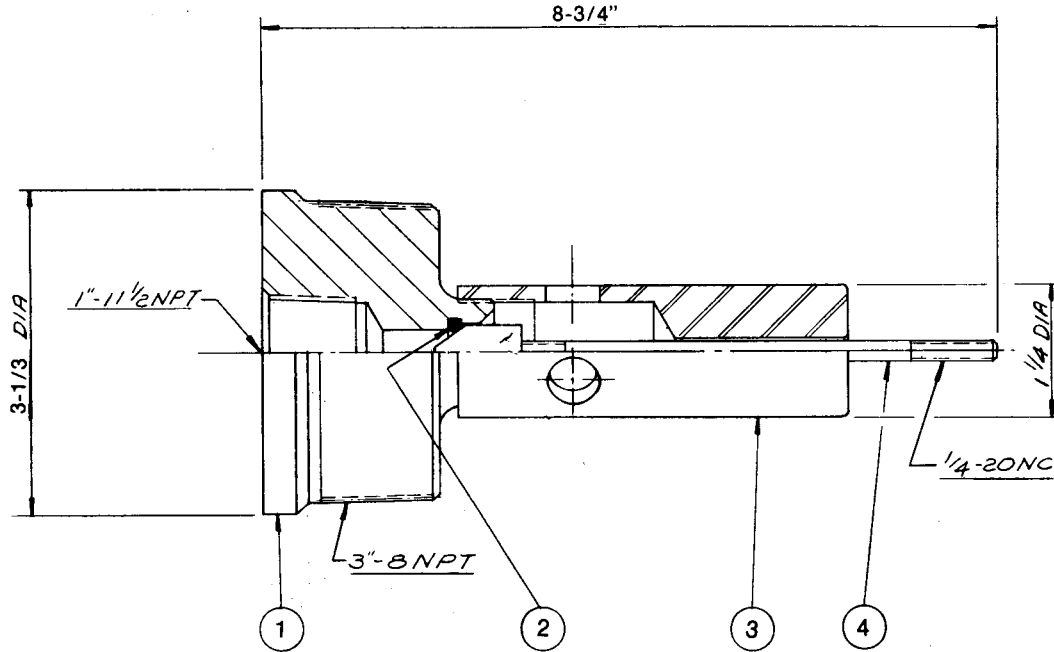




**FUEL GAS SHUT OFF VALVE  
MODEL NO. 3 FGS**



Item	Qty.	Description	Part No.
1	1	Valve Body	0006-00600
2	1	O-Ring	0006-00610
3	1	Stem Guide	0006-00602
4	1	Stem & Plug Assy.	0006-00604

**CAUTION: DO NOT SERVICE THIS UNIT  
UNTIL PRESSURE HAS BEEN REMOVED  
FROM THE SCRUBBER POT.**