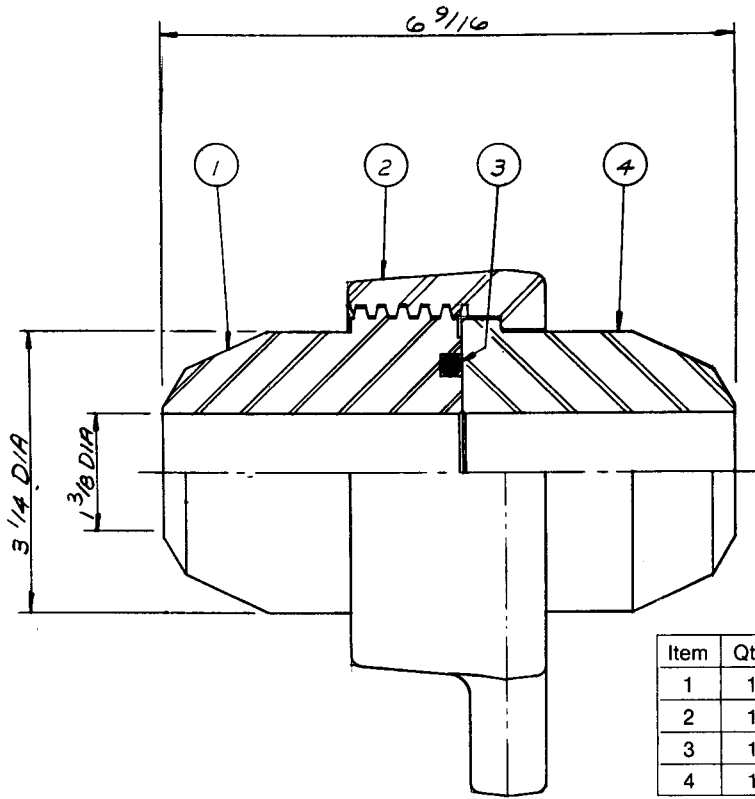


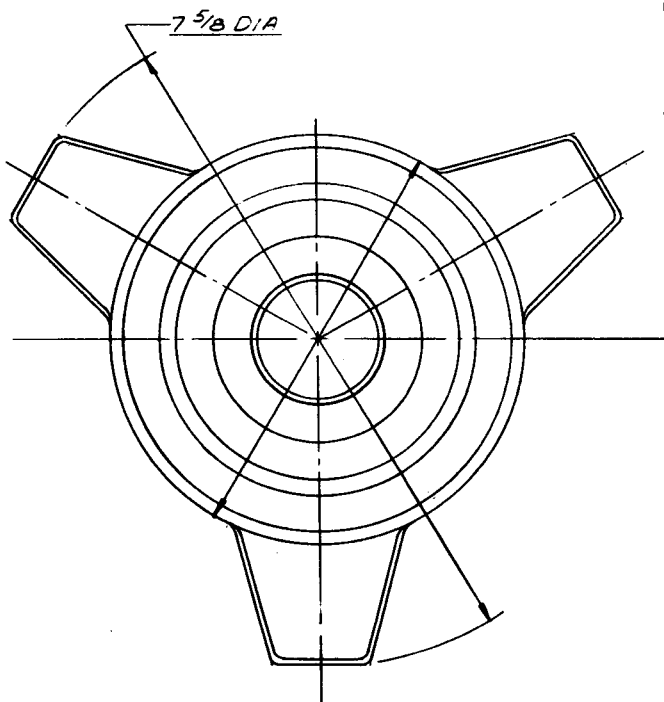
Tectrol, Inc.
P.O. Box 11357
Odessa, TX 79760
432/333-9544



2" HAMMER UNION
7500 PSI WORKING PRESSURE
BUTT WELD
MODEL NO. 2" XXH HAMMER UNION



Item	Qty.	Description	Part No.
1	1	Threaded Hub	0007-00706
2	1	Hammer Nut	0007-00704
3	1	O-Ring	0007-00703
4	1	Plain Hub	0007-00705



CAUTION: REMOVE PRESSURE BEFORE ANY ADJUSTMENTS ARE MADE ON THE HAMMER UNION. NEVER ATTEMPT TO TIGHTEN UNIT WITH PRESSURE ON THE UNIT.