

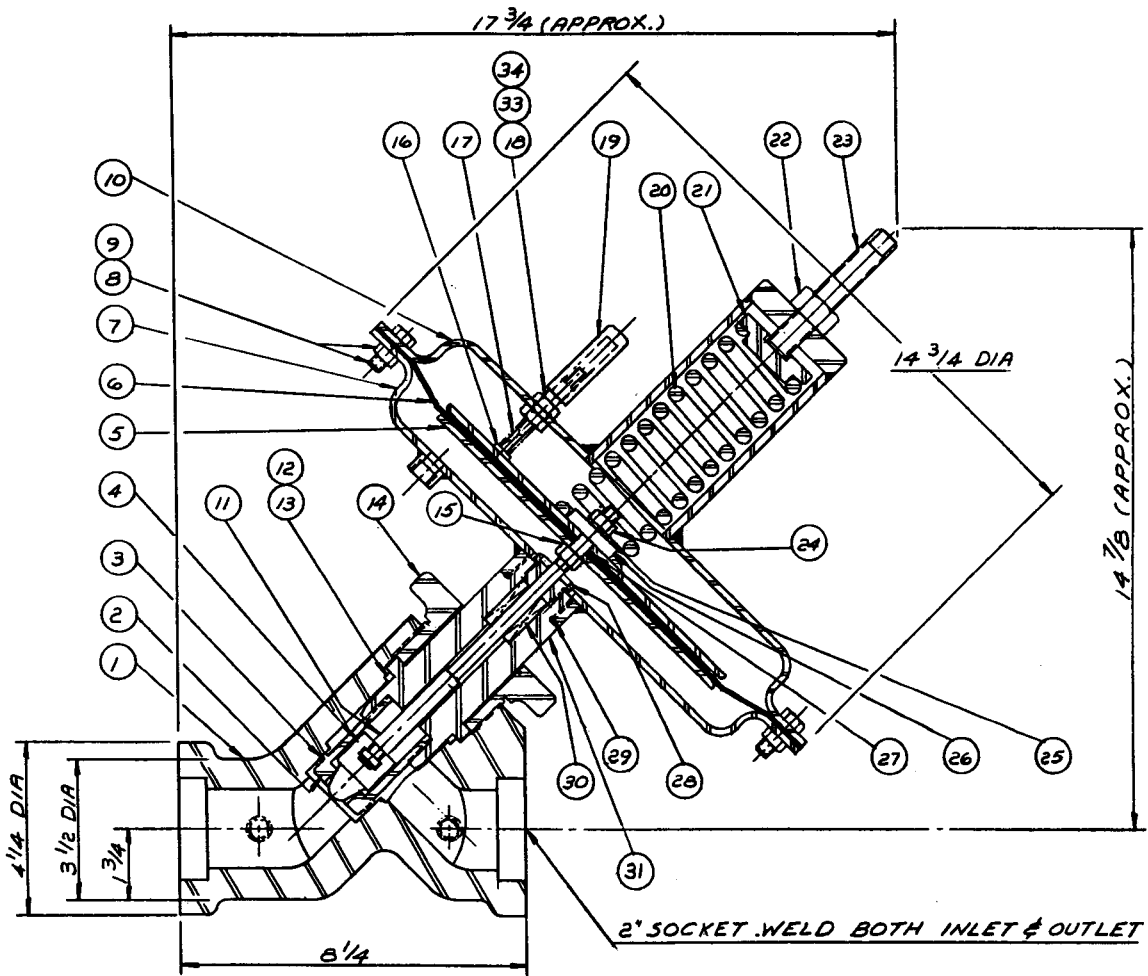
TECTROL'S High Pressure Control Valve is designed to control the pressure on your liquids or gases. Typical installations may include oil and gas separators, scrubbers, dehydrators and various liquid accumulators. Our valve was designed with a hammer union topworks for quick access, for inspection or replacement, of valve trim components without removing the body from the vessel or line. The angle design minimizes the possibility of freezing in low temperature applications. In effect, it is a simple and reliable valve.

TECTROL offers you this valve in 7400 PSIG and 4000 PSIG working pressure. You have two types of material to select for your seats and plugs, Tungsten Carbide and Stainless Steel. Both of these materials are standard stock items from TECTROL.

**CAUTION: REMOVE ALL PRESSURE UPSTREAM AND DOWNSTREAM AND DRAIN VESSEL OF FLUIDS BEFORE ATTEMPTING TO REMOVE THE TOPWORKS ON THIS UNIT. DO NOT HAMMER ON THE UNIT UNTIL YOU HAVE REMOVED PRESSURE FROM THE UNIT. EXTRA CAUTION SHOULD BE TAKEN IF THIS VALVE IS BEING USED IN A HAZARDOUS ENVIRONMENT (H<sup>2</sup>S OR CO<sub>2</sub>), ETC.**



**STEEL 2" THREADED OR SOCKET WELD  
HIGH - LOW VALVE  
4000 PSI TO 7400 PSI**



Item	Qty.	Description	Part No.
1	1	Valve Body	See Chart
2	1	Seat Orifice $\frac{3}{4}$	See Chart
3	1	O-Ring	0004-00454
4	1	Plug for $\frac{3}{4}$ Orifice	See Chart
5	2	Back Up Plate	0004-00418
6	1	Diaphragm	0004-00420
7	1	Lower Diaph. Case	0004-00416
8	20	Hex Head Bolt	0004-00439
9	20	Nut - 3/8-16	0004-00440
10	1	Upper Diaph. Case	0004-00437
11	1	Stem	0004-00452
12		O-Ring	0004-00414
13	1	Back Up Ring	0004-00410
14	1	Hammer Nut	0004-00412
15	1	Nut 3/8-16 NC	0004-00440
16	1	Indicator Pin	0004-00433
17	1	Indicator Spring	0004-00435

Item	Qty.	Description	Part No.
18	2	Spacer	0004-00422
19	1	Sight Glass	0004-00442
20	1	Spring	0004-00431
21	1	Upper Spring Guide	0004-00430
22	1	Nut 5/8-11	0001-00161
23	1	Adjusting Screw	0004-00444
24	1	Nyloc Nut	0004-00425
25	1	Lockwasher	0004-00424
26	1	Lower Spring Guide	0004-00429
27	2	Thread Seal	0004-00427
28	1	Packing Nut	0004-00406
29	1	O-Ring	0004-00408
30	1	Packing Set	0004-00404
31	1	Case Support	0004-00402
33	1	Nut 3/8-16	0004-00440
34	1	O-Ring	2012