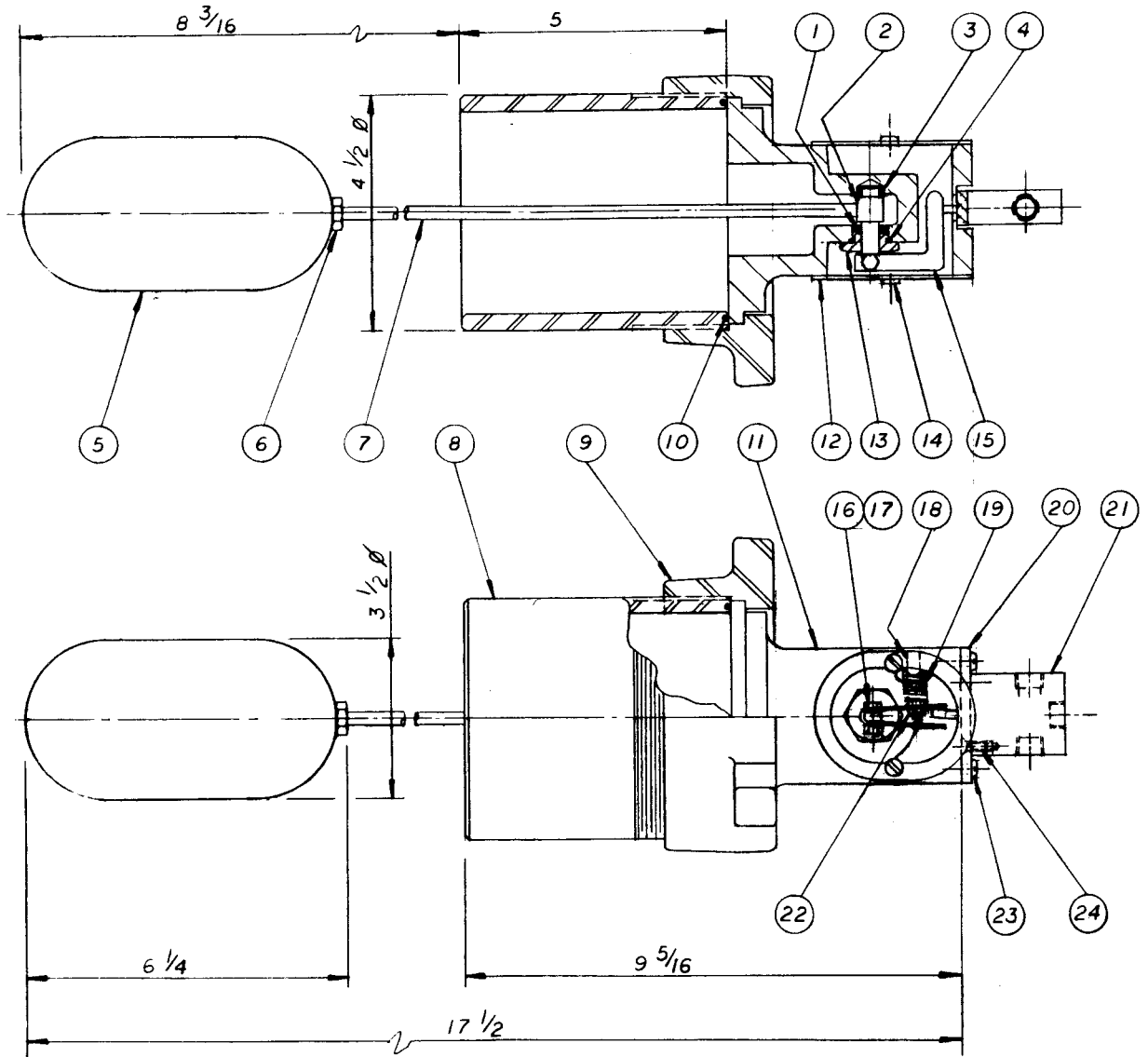




LIQUID LEVEL CONTROL
4" HAMMER UNION 250 PSIG
MODEL 4HULC-N



Item	Qty.	Description	Part No.
1	1	O-Ring	816
2	1	Trunnion	818
3	1	Delrin Bushing	817
4	1	O-Ring	829
5	1	Float 3 1/2 x 6	821
	1	Float 3 x 6	823
6	1	Jam Nut	1026
7	1	Float Arm 1/4 x 10	714
	1	Float Arm 1/4 x 12	715
	1	Float Arm 1/4 x 14	716
	1	Float Arm 1/4 x 16	717
8	1	Weldneck 4 x 5	003-00945
9	1	Hammer Nut	003-00364
10	1	O-Ring	003-00367

Item	Qty	Description	Part No.
11	1	Body	0003-00442
12	1	Cover Plate	827
13	1	Bushing	826
14	4	Cover Plate Screw	828
15	1	Actuator	830
16	2	Screw	832
17	1	Nyloc Nut	837
18	1	Spring Keeper	834
19	1	Spring	833
20	1	Mounting Plate	839
21	1	Snapvalve	6005
22	1	Lock Nut	838
23	2	Screw	835
24	2	Screw	836