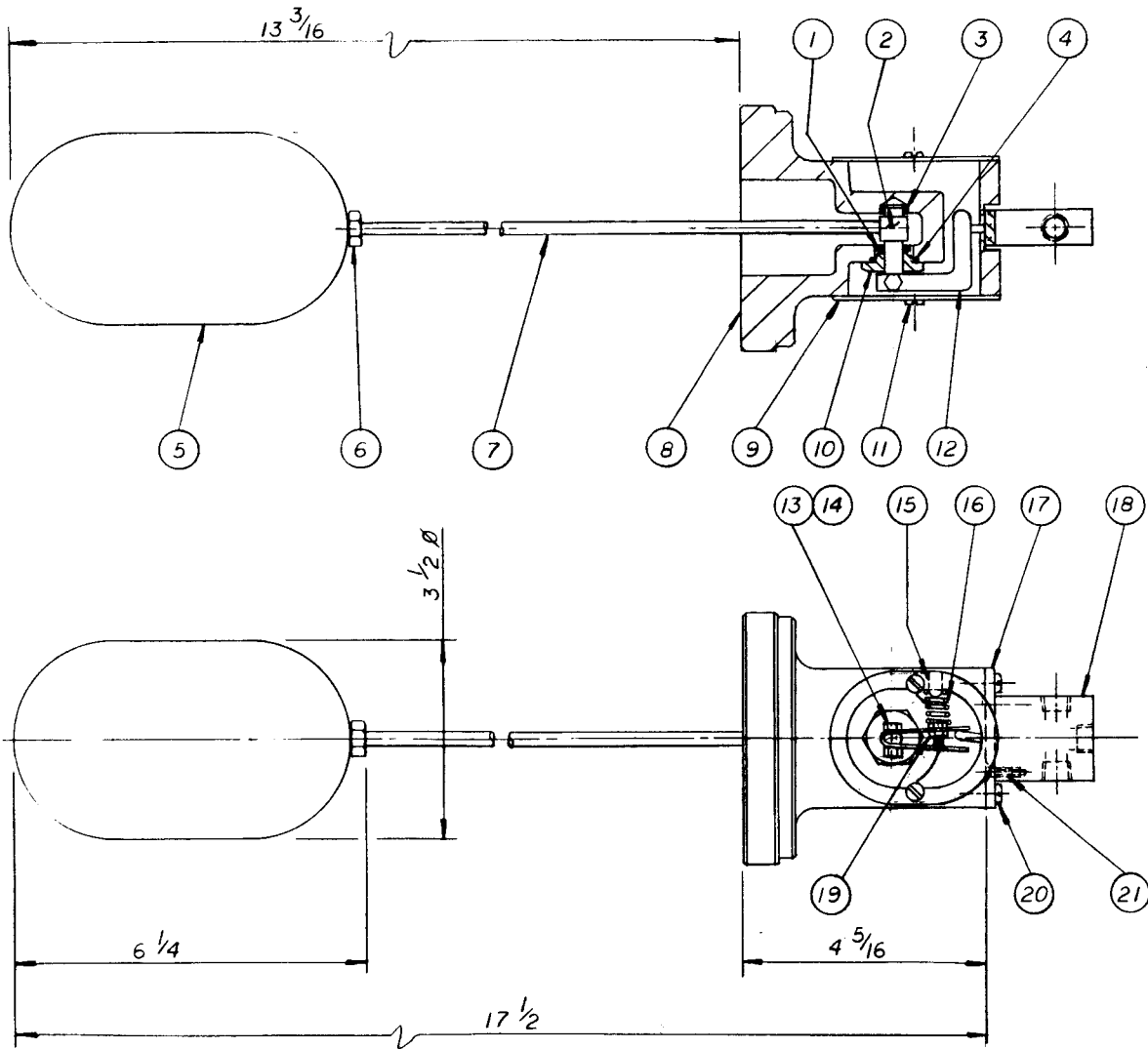


LIQUID LEVEL CONTROL
4" VICTAULIC 250 PSIG
MODEL 4VLLC-4



| Item | Qty. | Description | Part No. |
|------|------|--------------------|------------|
| 1 | 1 | O-Ring | 819 |
| 2 | 1 | Trunnion | 818 |
| 3 | 1 | Delrin Bushing | 817 |
| 4 | 1 | O-Ring | 829 |
| 5 | 1 | Float 3 1/2 X 6 | 821 |
| | 1 | Float 3 x 6 | 823 |
| 6 | 1 | Jam Nut | 1026 |
| 7 | 1 | Float Arm 1/4 x 10 | 714 |
| | 1 | Float Arm 1/4 x 12 | 715 |
| | 1 | Float Arm 1/4 x 14 | 716 |
| | 1 | Float Arm 1/4 x 16 | 717 |
| 8 | 1 | Body | 0003-00444 |
| 9 | 2 | Cover Plate | 827 |

| Item | Qty | Description | Part No. |
|------|-----|--------------------|----------|
| 10 | 1 | Bushing | 826 |
| 11 | 4 | Cover Plate Screws | 828 |
| 12 | 1 | Actuator | 830 |
| 13 | 2 | Screw | 832 |
| 14 | 1 | Nyloc Nut | 837 |
| 15 | 1 | Spring Keeper | 834 |
| 16 | 1 | Spring | 833 |
| 17 | 1 | Mounting Plate | 839 |
| 18 | 1 | Snap Valve | 6005 |
| 19 | 1 | Lock Nut | 838 |
| 20 | 2 | Screw | 835 |
| 21 | 2 | Screw | 836 |