



**LONG NOSE CHOKE  
7,800 PSIG  
MODEL 78-LA**



TECTROL has been manufacturing a long nose gas choke for several years. We were the first in the industry to build a 7800 PSIG choke that conformed to the American Petroleum Institute 1984 Specification 12K (June 20, 1984). Each choke is pressure tested at our factory to one and one half (1½) times working pressure or 11,700 PSIG. We have a saying at TECTROL, "If it's painted, it's tested."

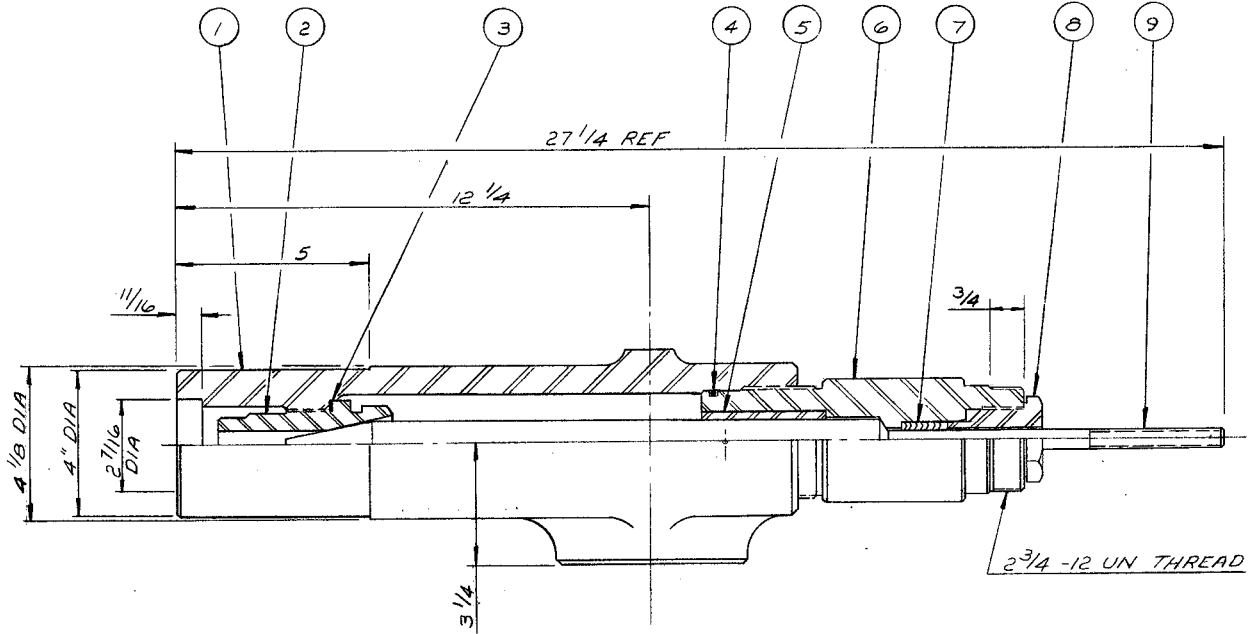
Our choke is furnished with Stainless Steel stem and seat. You may order Tungsten Carbide stems and seats if this will enhance your operation. TECTROL'S 7800 PSIG choke is available in both manual and diaphragm operated configurations. We also offer our choke with either the 2" socket weld or 2" threaded inlet and outlet design. All of our chokes can be special ordered to meet NACE MR-01-75. TECTROL'S choke parts are interchangeable with others, consult the factory on the specifications.

*We welcome special order and custom built chokes.*

*TECTROL ... the "professionals" in choke manufacturing.*

**CAUTION: WHEN REPLACING THE SEAT AND STEM, YOU SHOULD INSURE YOURSELF THAT ALL PRESSURE, BOTH UP AND DOWN STREAM OF THE CHOKE HAS HAD TOTAL PRESSURE REMOVED. ONLY THEN SHOULD YOU REMOVE THE YOKE. EXTRA CAUTION SHOULD BE TAKEN IF THE CHOKE IS BEING USED IN A HAZARDOUS ENVIRONMENT (H<sub>2</sub>S or CO<sub>2</sub>), ETC.**

**LONG NOSE CHOKE**  
**7,800 PSIG**  
**MODEL 78-LA**



*WORKING PRESSURE IS 7800 PSIG*

Item	Qty.	Description	Part No.
1	1	Choke Body	0001-00100
2	1	Seat	See Chart
3	1	Seat Gasket	0001-00138
4	1	O-Ring	0001-00114
5	1	Bearing	0001-00163
6	1	Yoke	0001-00110
7	1	Packing	0001-00142
8	1	Packing Gland	0001-00165
9	1	Stem	See Chart

Trim Size	Tapered Seat Stock Number		Stem
	Stainless Steel	Tungsten Carbide	
1"	0001-00123	- - - - -	0001-00118
1"	- - - - -	0001-00124	0001-00119
3/4"	0001-00125	- - - - -	0001-00118
3/4"	- - - - -	0001-00126	0001-00119
1/2"	0001-00127	- - - - -	0001-00118
1/2"	- - - - -	0001-00128	0001-00119